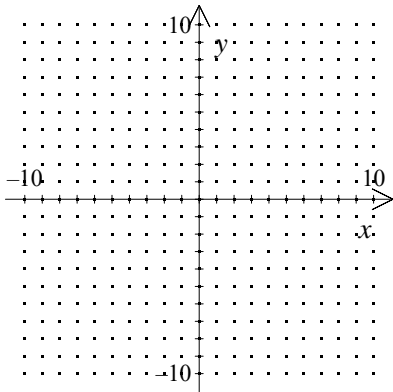


NAME: _____

1. Graph the triangle whose vertices have the coordinates given below. Then draw its reflection in the x -axis.

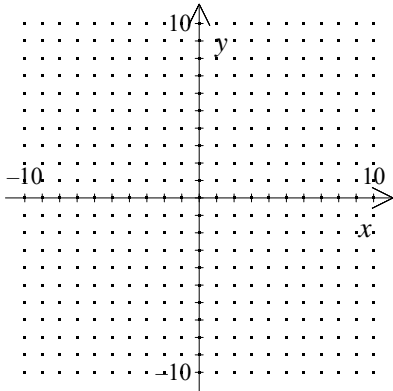
$M(-6, 3)$, $N(-3, 3)$, $P(-5, 7)$



[1] _____

2. Graph the triangle whose vertices have the coordinates given below. Then draw its reflection in the x -axis.

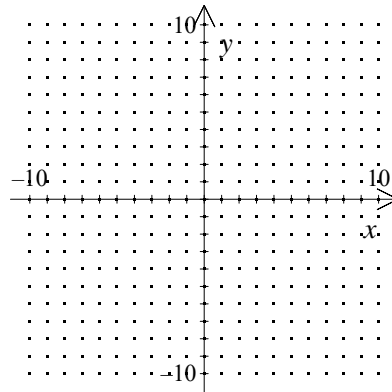
$M(-7, 2)$, $N(-1, 2)$, $P(-1, 6)$



[2] _____

3. Graph the triangle whose vertices have the coordinates given below. Then draw its reflection in the x -axis.

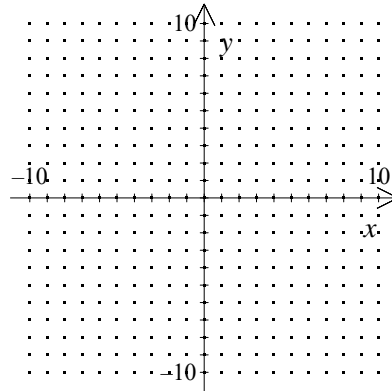
$M(-8, 3)$, $N(-2, 3)$, $P(-4, 5)$



[3] _____

4. Graph the triangle whose vertices have the coordinates given below. Then draw its reflection in the x -axis.

$M(-7, 2)$, $N(-3, 2)$, $P(-3, 8)$

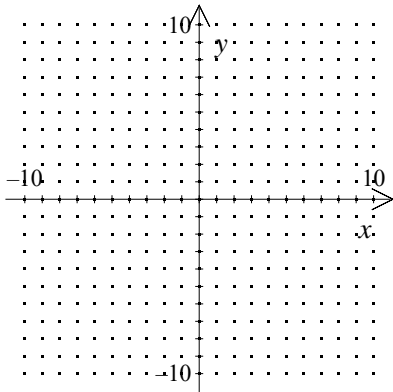


[4] _____

NAME: _____

5. Graph the triangle whose vertices have the coordinates given below. Then draw its reflection in the x -axis.

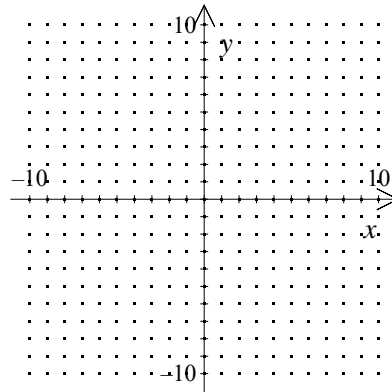
$M(-8, 2)$, $N(-1, 2)$, $P(-8, 7)$



[5] _____

7. Graph the triangle whose vertices have the coordinates given below. Then draw its reflection in the x -axis.

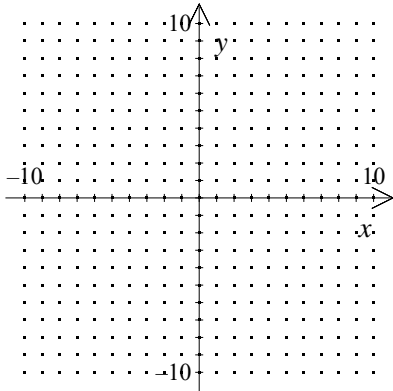
$M(-6, 3)$, $N(-1, 3)$, $P(-3, 5)$



[7] _____

6. Graph the triangle whose vertices have the coordinates given below. Then draw its reflection in the x -axis.

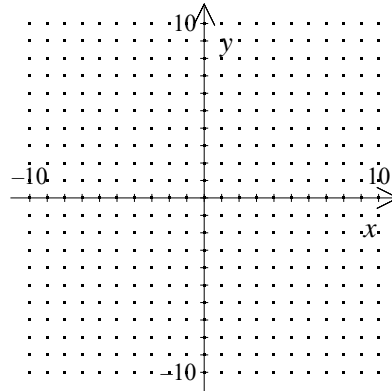
$M(-6, 3)$, $N(-2, 3)$, $P(-6, 8)$



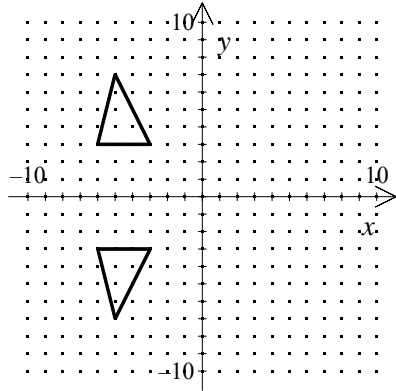
[6] _____

8. Graph the triangle whose vertices have the coordinates given below. Then draw its reflection in the x -axis.

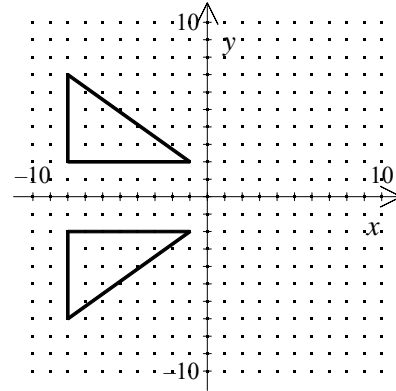
$M(-7, 2)$, $N(-3, 2)$, $P(-3, 6)$



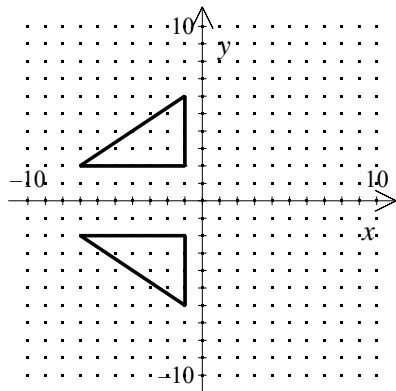
[8] _____



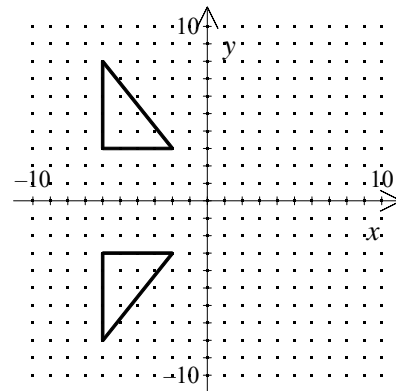
[1]



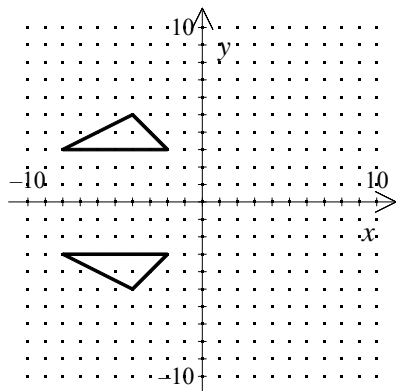
[5]



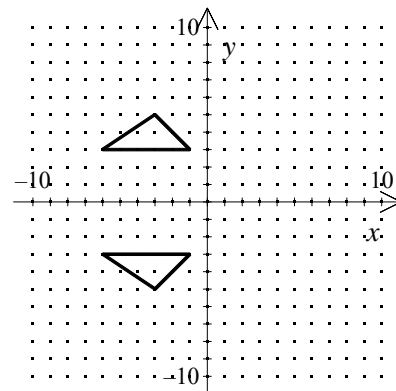
[2]



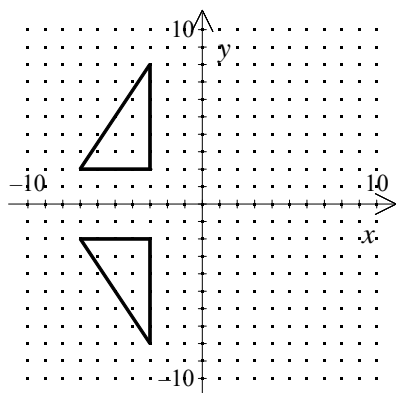
[6]



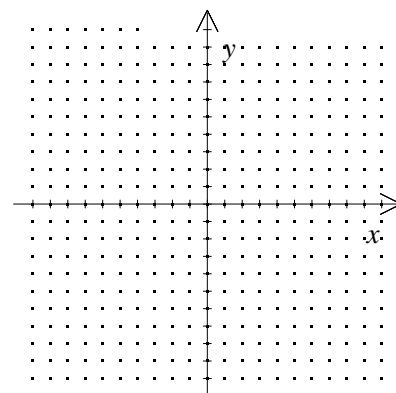
[3]



[7]



[4]



[8]