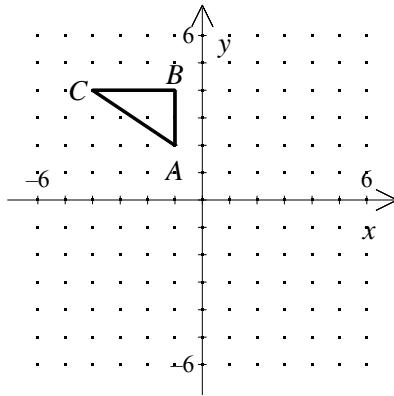
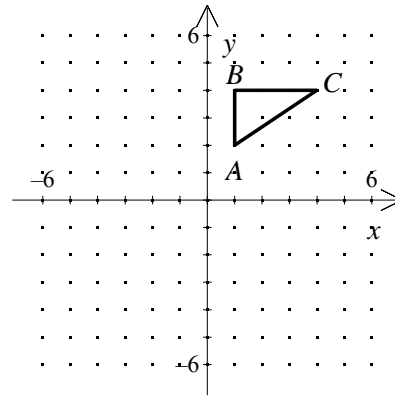


NAME: _____

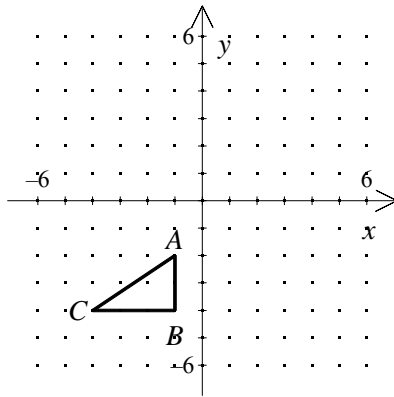
1. Draw the image produced when $\triangle ABC$ is reflected in the x -axis.



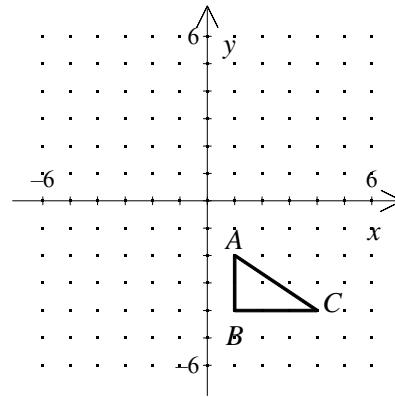
4. Draw the image produced when $\triangle ABC$ is reflected in the y -axis.



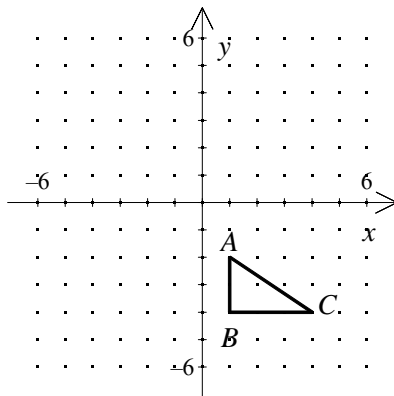
2. Draw the image produced when $\triangle ABC$ is reflected in the x -axis.



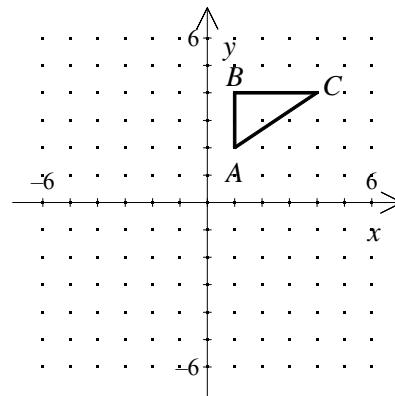
5. Draw the image produced when $\triangle ABC$ is reflected in the x -axis.

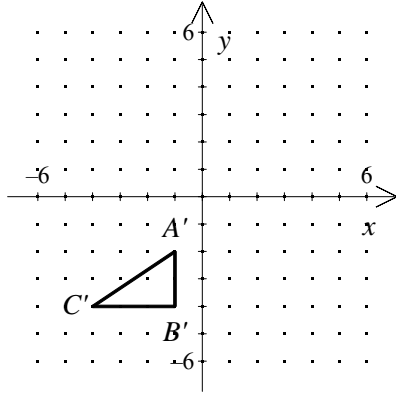


3. Draw the image produced when $\triangle ABC$ is reflected in the y -axis.

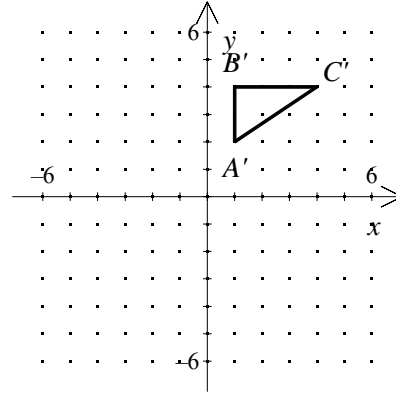


6. Draw the image produced when $\triangle ABC$ is reflected in the x -axis.

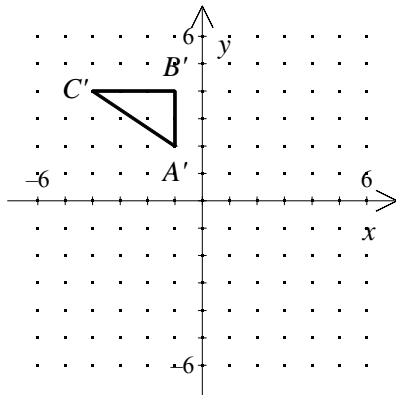




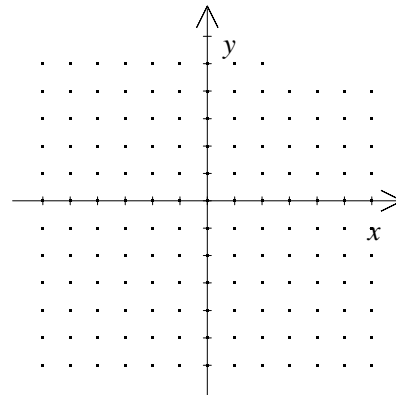
[1]



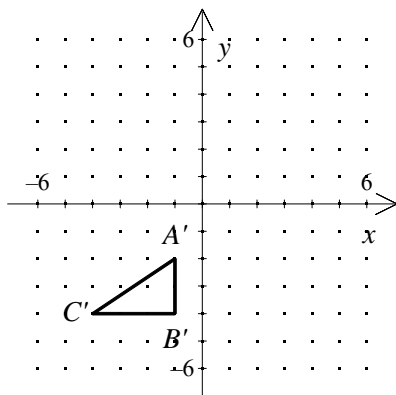
[5]



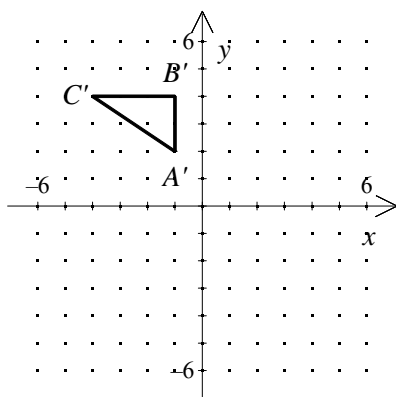
[2]



[6]



[3]



[4]
